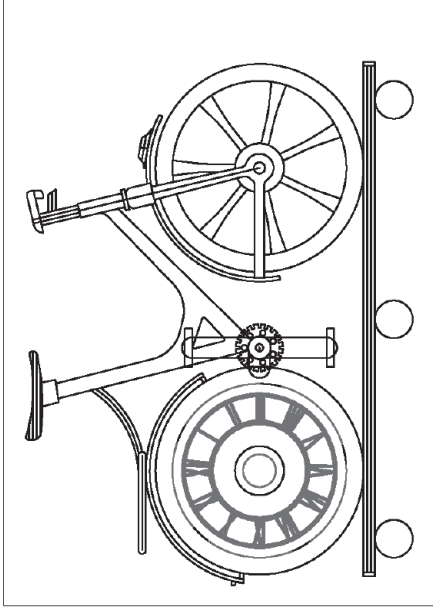
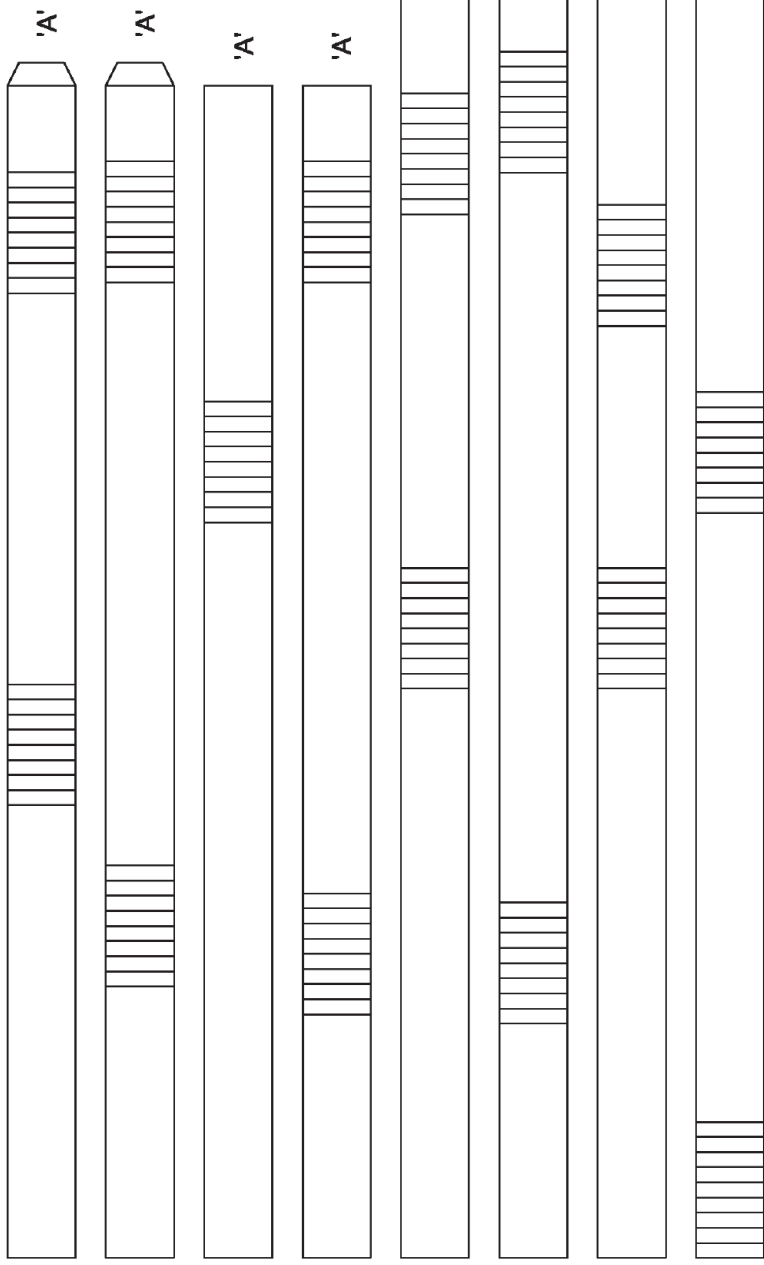


BICYCLE MATCHSTICK CLOCK

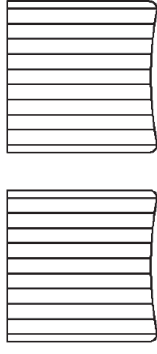
Instructions

Read through the Instructions carefully before starting your Model. Begin by cutting out the shapes shown by a dotted line. The model you are making as a card structure onto which the matches are glued using a PVA Adhesive. The ruled areas show where to glue the matches and in which direction they should run. Before gluing, Score the lines indicated should there be a fold line, fold then flatten out before applying glue or matches. When gluing the matches spread a small amount of glue along the edge of the card and lay a line of matches parallel to the guide lines. Press the matches firmly together and stagger the joins for strength as you build up rows of matches until the whole area is covered. Use the safety cutter to cut matches to exact lengths or trim off any over hands with a craft knife. Do not throw away any off cuts as these can be used to fill any gaps and/or small areas. Do not glue together at dotted lines, glue to card only as this section would be required to fold. Unless otherwise instructed, when matches are glued to both sides of the card shape they should run in opposite directions to give strength through the structure and prevent bending. Allow the first side to dry before applying the other side with glue and matches. When the section has been glued it is best to place it under a heavy object to keep it flat while the glue dries, an old book would be an example when the section is dry, rub down any rough surfaces and edges with a sandpaper.

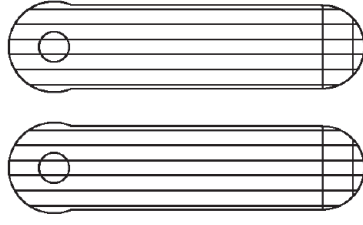
Once the model is complete and assembled a coat of varnish can be added to keep it looking its best.



Pedals - template below cut out and cellotape to prevent glue sticking to the paper. Single layer.



Pedal arms - same as pedals technique



Front and Rear wheels

3 Layers, 2 cards Matches to be laid in **Same** direction

Shorter template

Below card - Single Layer

Top of card - Single Layer

Longer template:

Top of Card - Single Layer

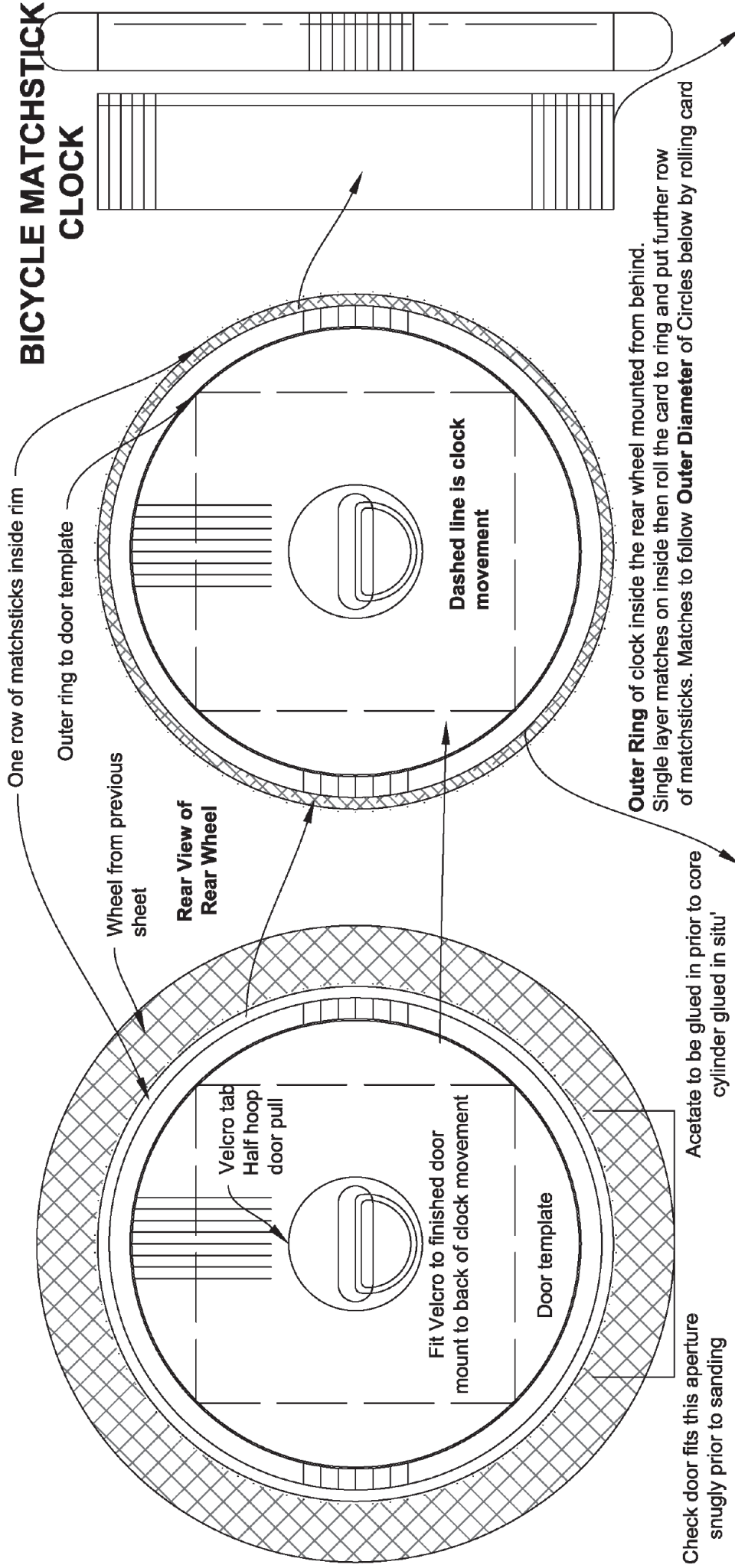
Below Card - Glue to smaller diameter once made into circle

Attach to second piece you will have two long and two short templates once joined

'A' & 'B' can be thin card or coloured paper.

Direction of matchsticks indicated on template

BICYCLE MATCHSTICK CLOCK

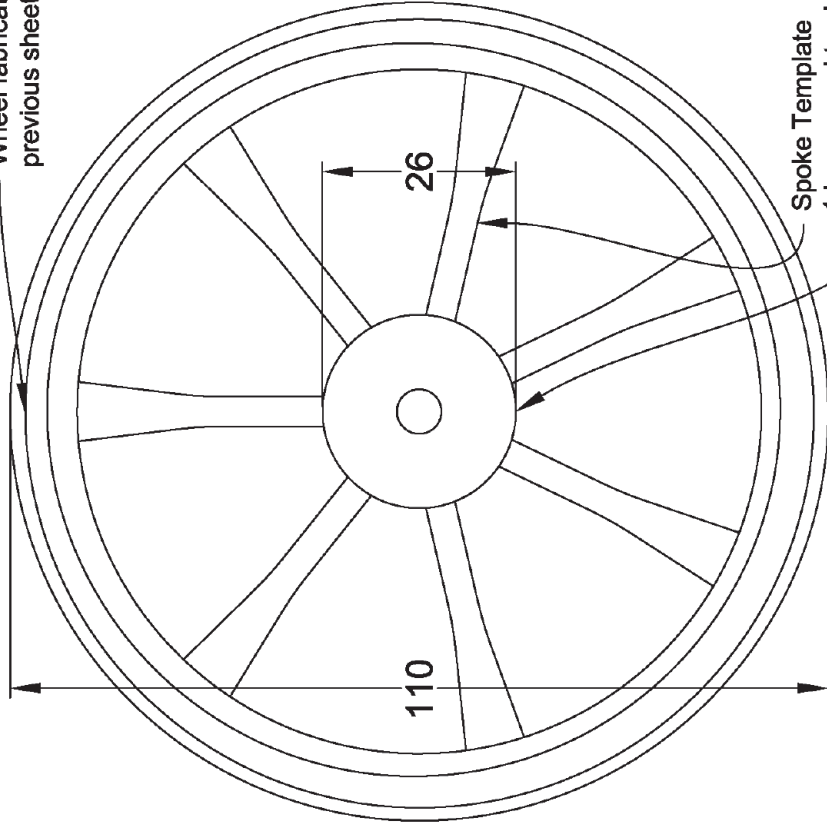


Direction of matchsticks indicated on template

Outer Ring
Single layer matches to **Inner Diameter** of the internal circle shown below then roll to ring

Front Wheel

Wheel fabricated from previous sheet (Page 1)

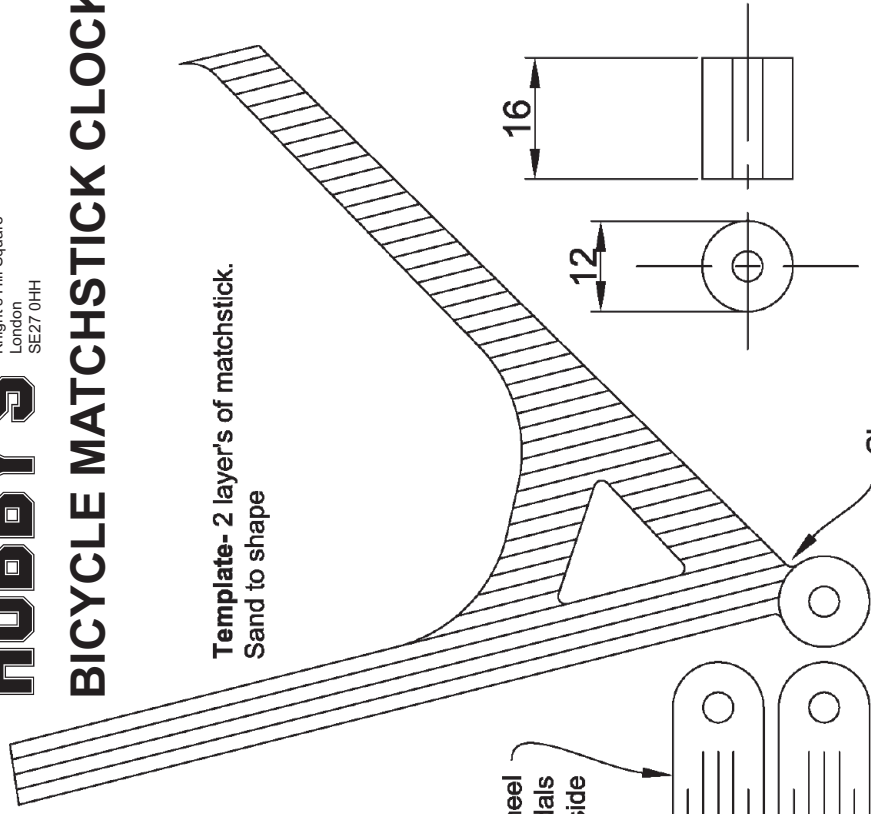


HOBBY'S

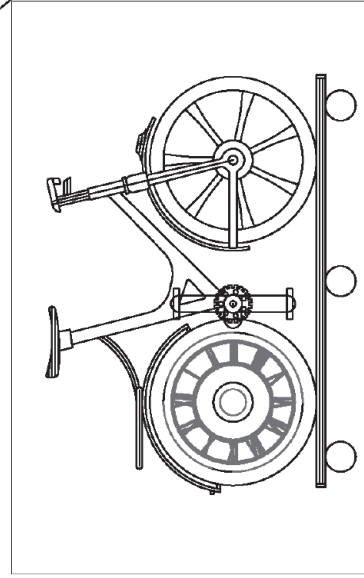
© W.Hobby Ltd (2017)
Knight's Hill Square
London
SE27 0HH

BICYCLE MATCHSTICK CLOCK

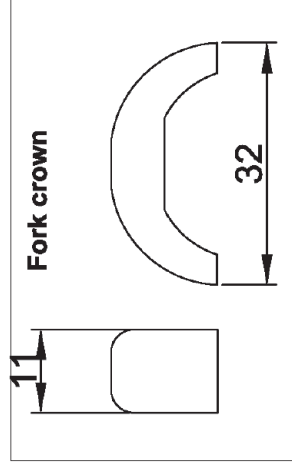
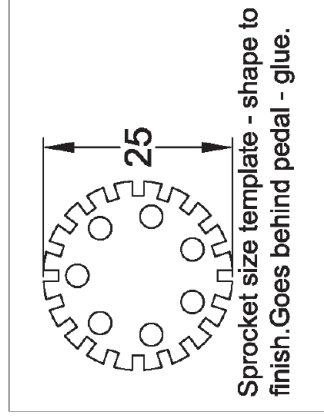
Side View of Front Wheel



Template - 2 layer's of matchstick.
Sand to shape

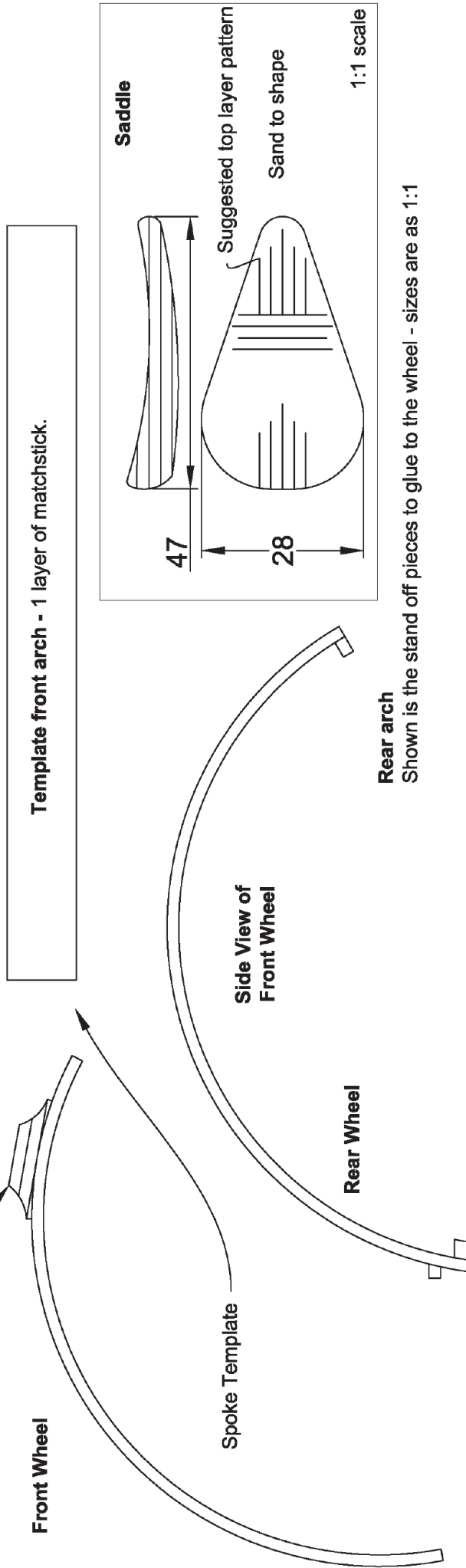


Bike Frame template - Direction of matchstick shown. Template above graft to bottom bracket to allow pedals to be mounted in place with a 4mm whittled connecting rod.



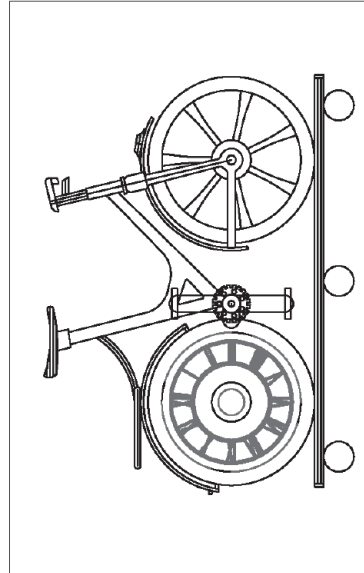
BICYCLE MATCHSTICK CLOCK

Wheel fabricated from previous sheet (Page1)



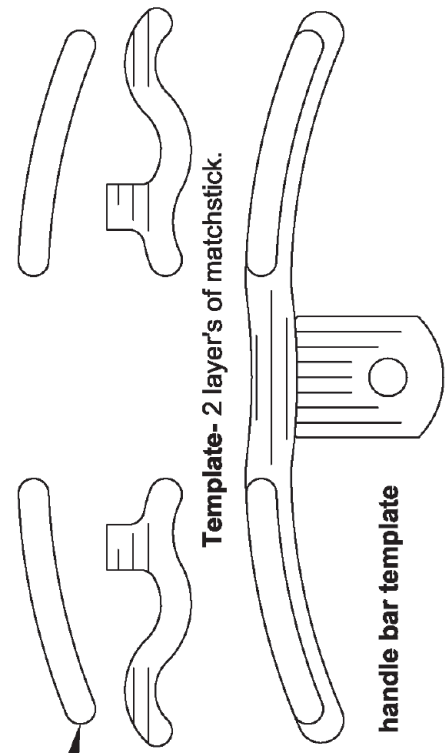
Shown is the stand off pieces to glue to the wheel - sizes are as 1:1

Check door fits this aperture snugly prior to sanding



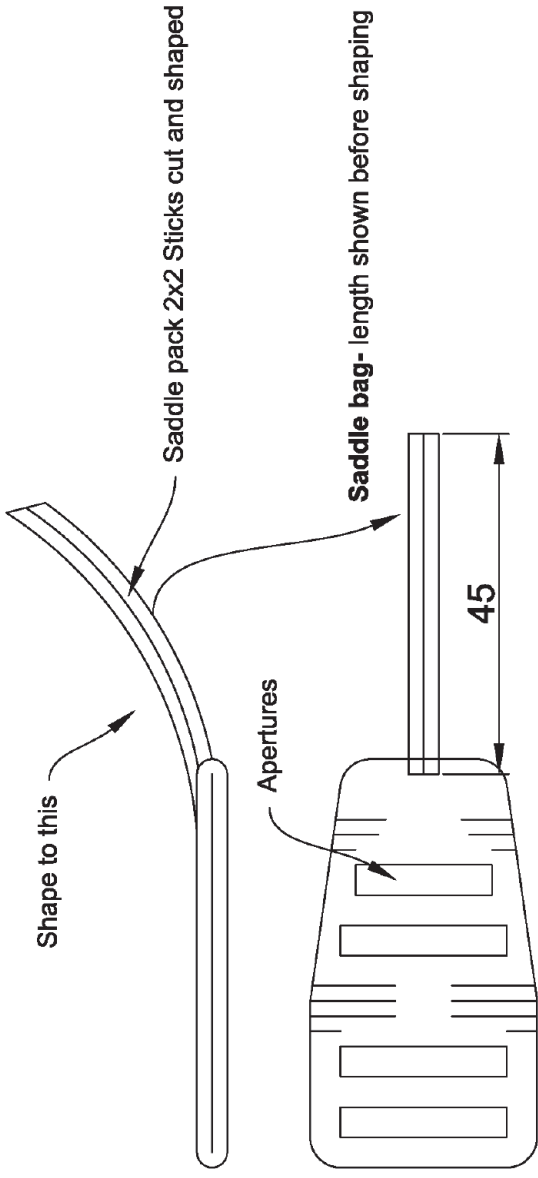
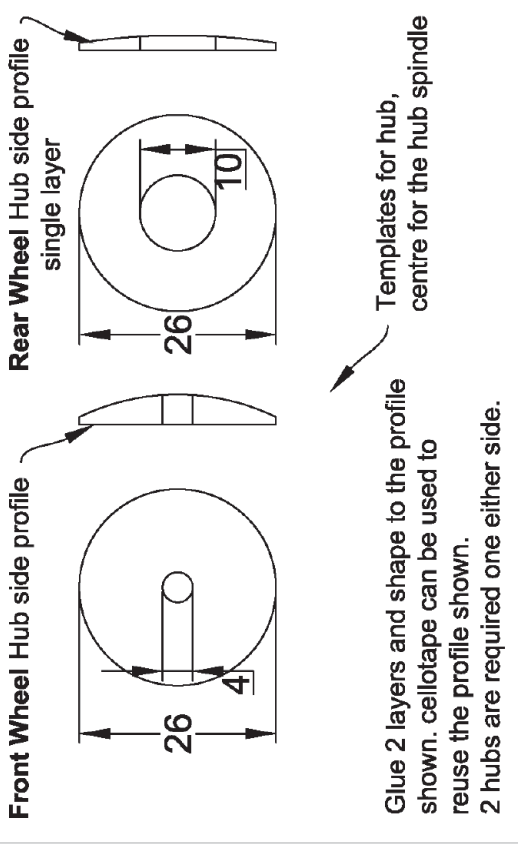
Plan profile - template below

Brake handles 2 Sticks thick sand to shape



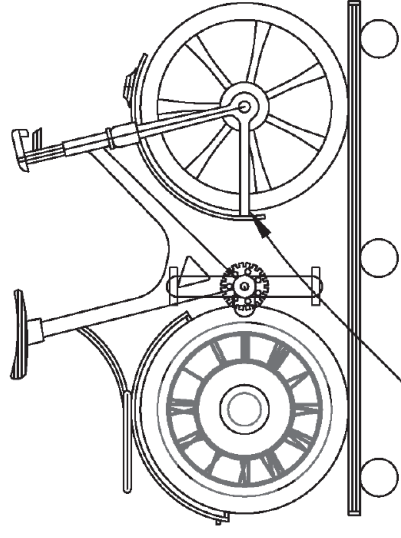
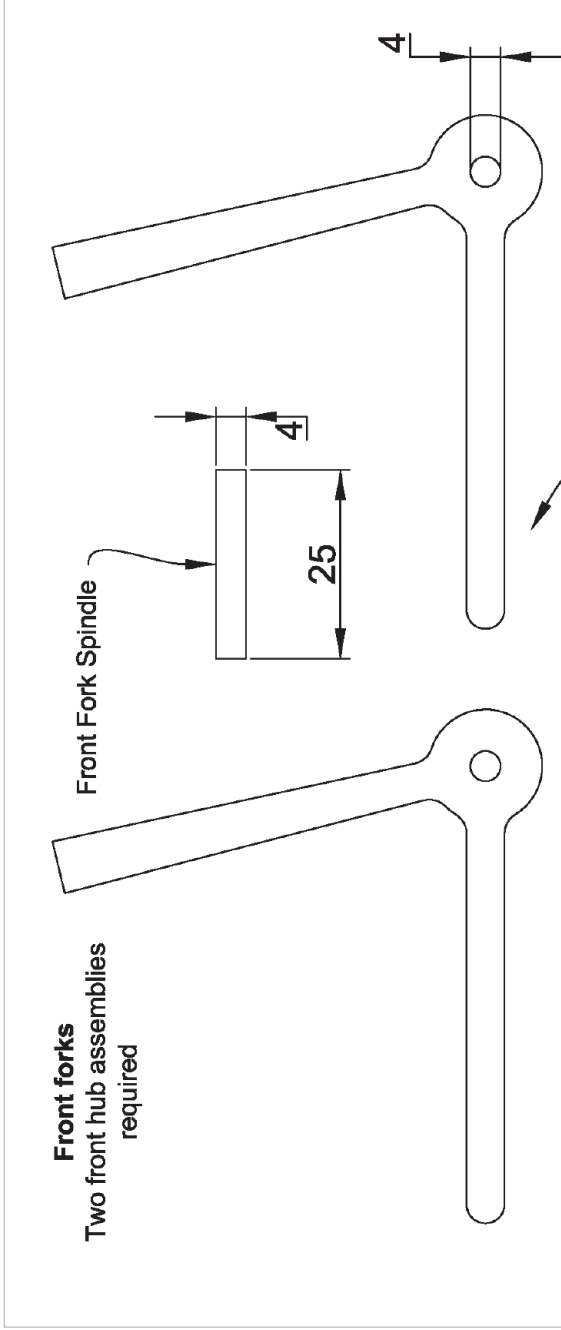
Direction of matchsticks indicated on template

BICYCLE MATCHSTICK CLOCK

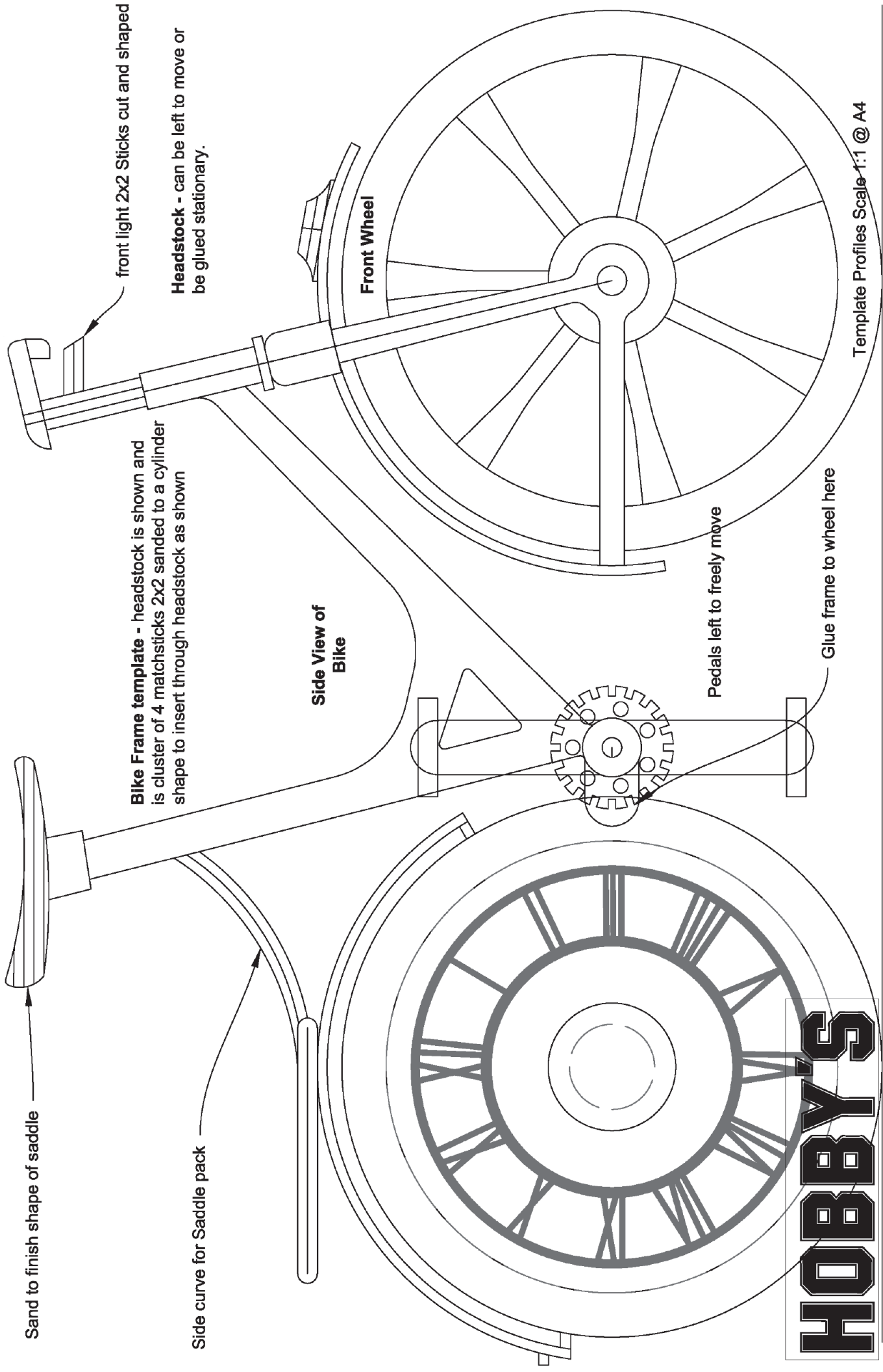


Front Wheel

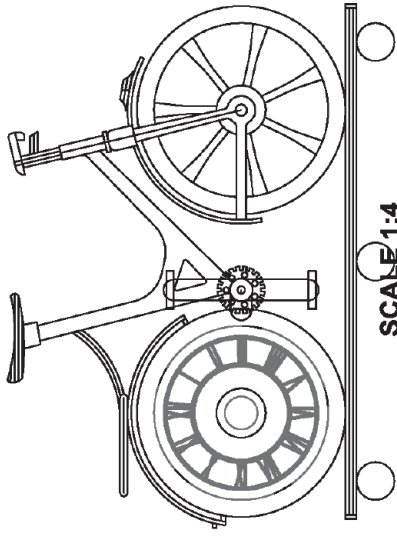
Bike Frame template - headstock is shown and is cluster of 4 matchsticks 2x2 sanded to a cylinder shape to insert through headstock as shown



BICYCLE MATCHSTICK CLOCK



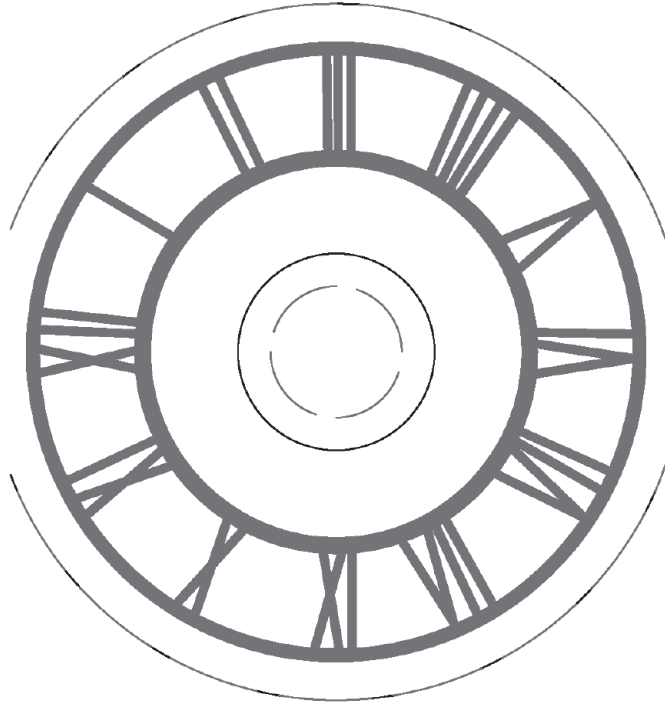
BICYCLE MATCHSTICK CLOCK



Bicycle clock

Part codes for complete assembly

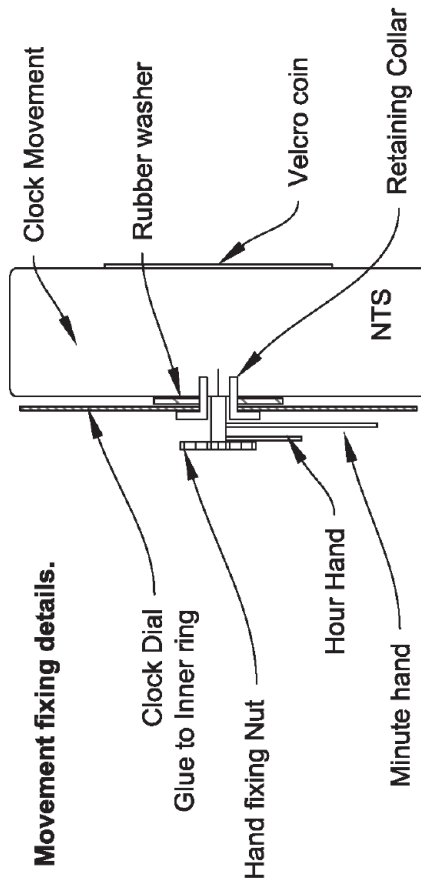
1 x Clock movement	Part No. 738/10
1 x Clock Dial	Part No. 467
1 x Clock Hands	Part No. 110/49
1 x Battery	Part No. BATT1
6 x Ball Feet	Part No. SBW3
1 x Velcro	Part No. V60227
1 x Hoop Ring	Part No. 12016
1 x Acetate Sheet	Part No. CA515



Clock Face
 Cut outer line

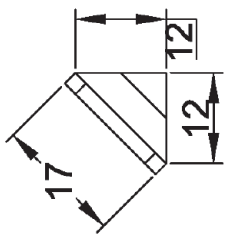
Glue to card if not using
 Pt No 467

Cut Acetate to fit inside wheel



Movement fixing details.

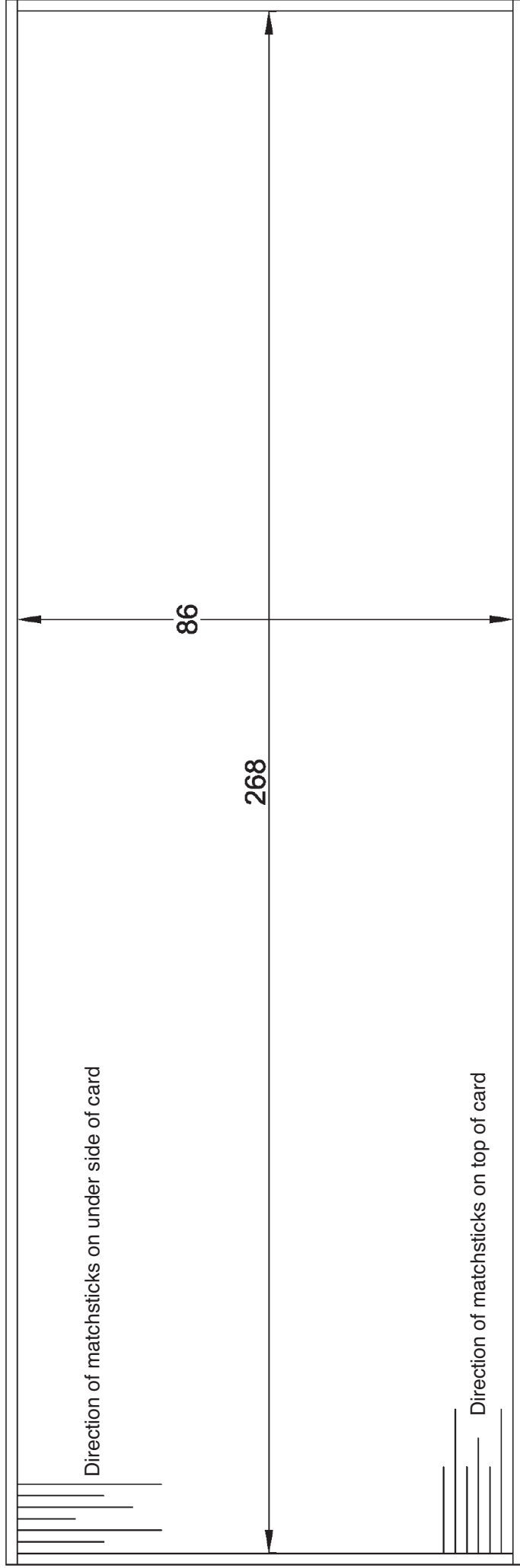
BICYCLE MATCHSTICK CLOCK



130

Dont let time pedal away

Suggested text



Plinth to stand bike

Matchstick border suggestion

